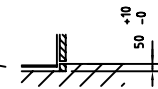
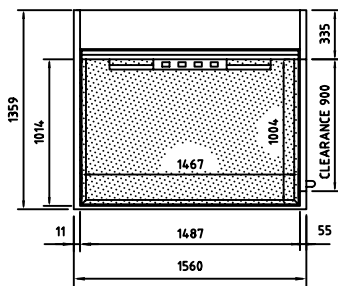
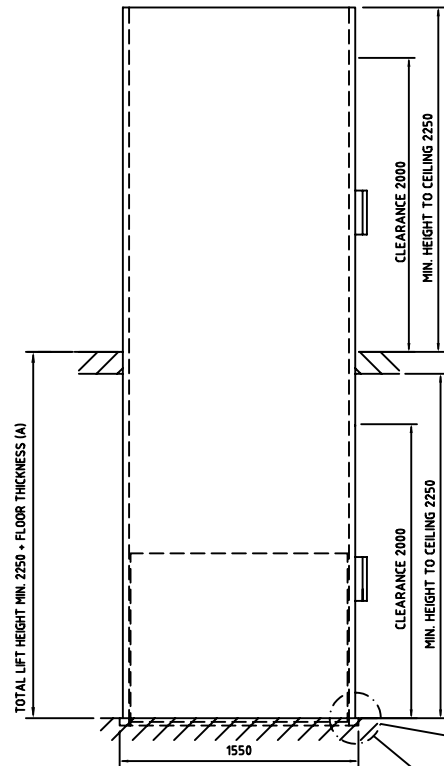
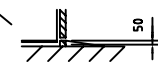


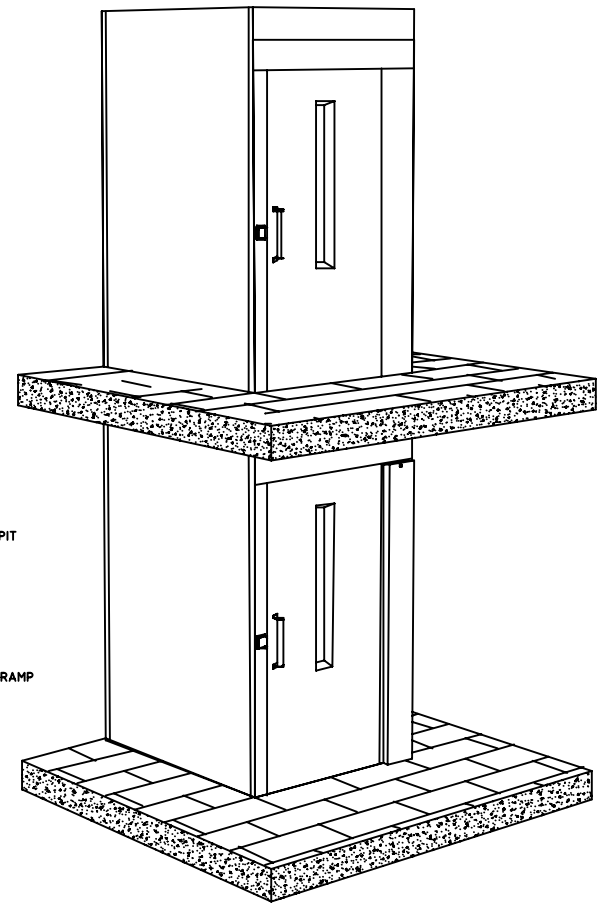
ELECTRICAL COMPARTMENT AND EMERGENCY HANDLE




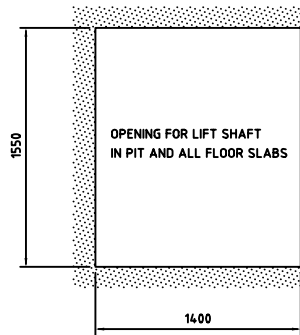
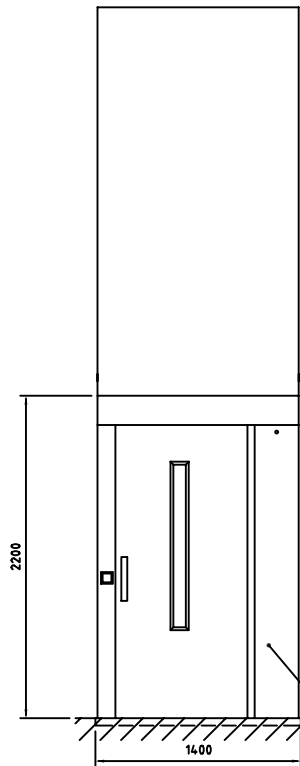
WITH PIT



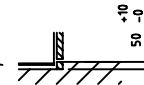
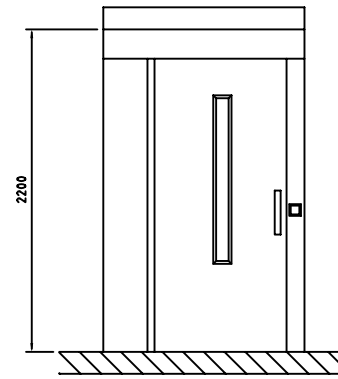
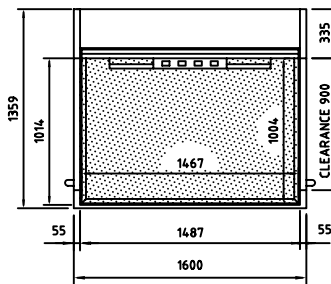
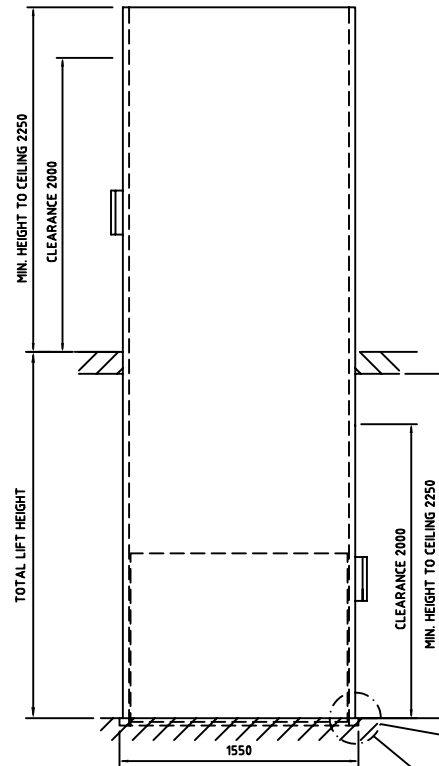
WITH RAMP



	Brand BHG Connect.	CIBES LIFT A 5000 2 landings with full height front	Slide 150	Finings 34512E
			Dot. 2004-03-12	
			Ref. 34512E	Rev. B



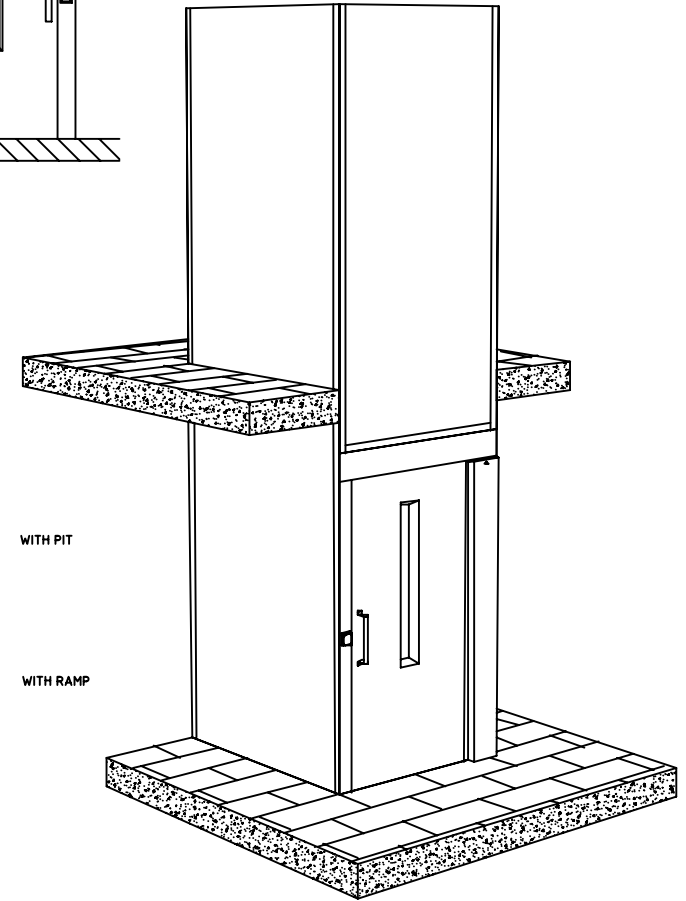
ELECTRICAL COMPARTMENT AND EMERGENCY CRANK



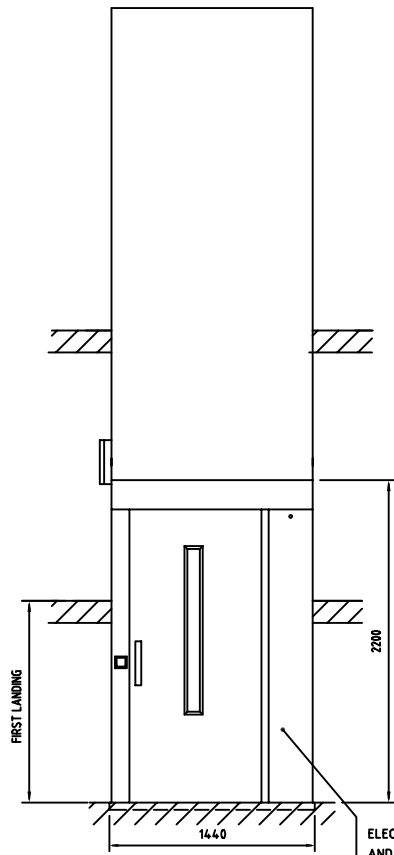
WITH PIT



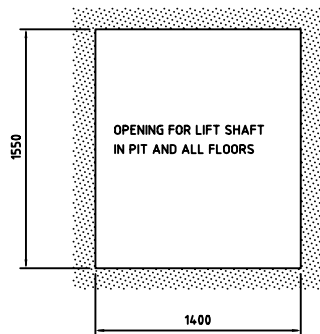
WITH RAMP



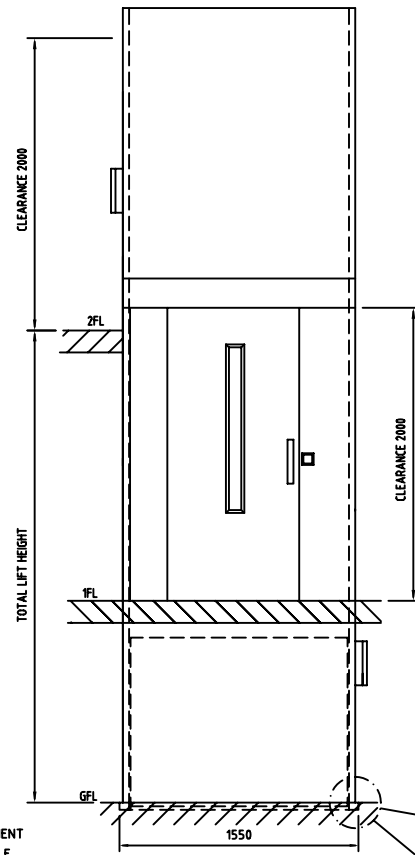
	Model BHG	CIBES LIFT A 5000 2 landings open through with full height front	Slide 150	Finishing 34502E
	Material Connect.		Dot. 2004-03-12	Rev. B
			34502E	



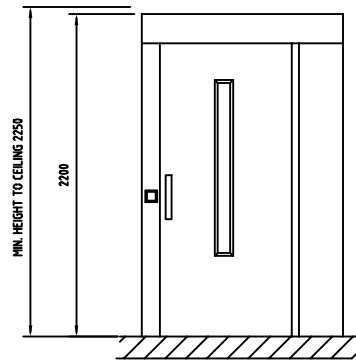
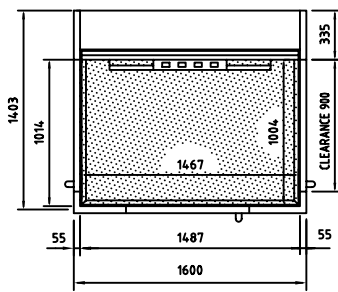
ELECTRICAL COMPARTMENT AND EMERGENCY HANDLE



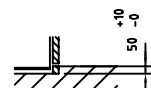
OPENING FOR LIFT SHAFT IN PIT AND ALL FLOORS



TOTAL LIFT HEIGHT



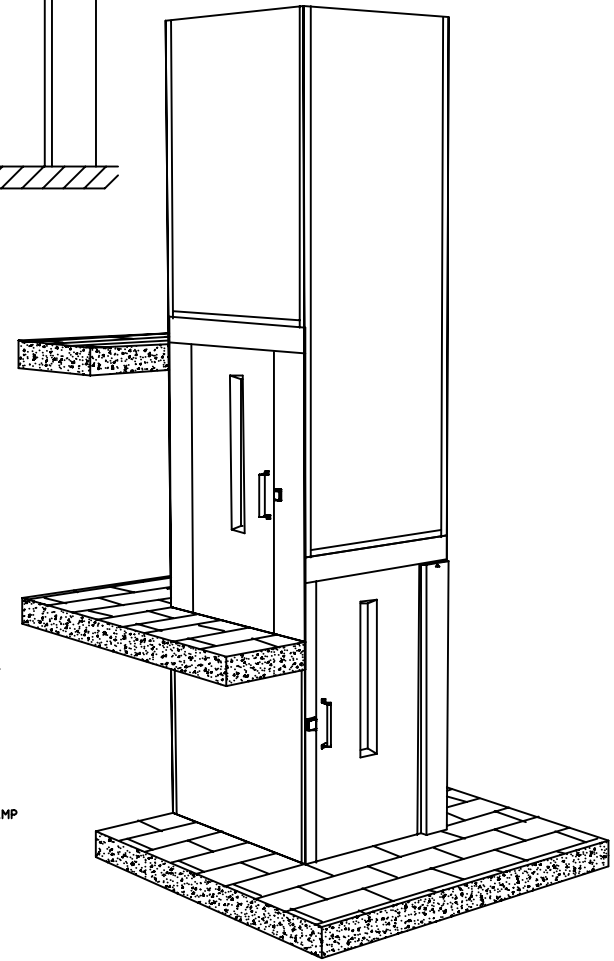
MIN. HEIGHT TO CEILING 2250




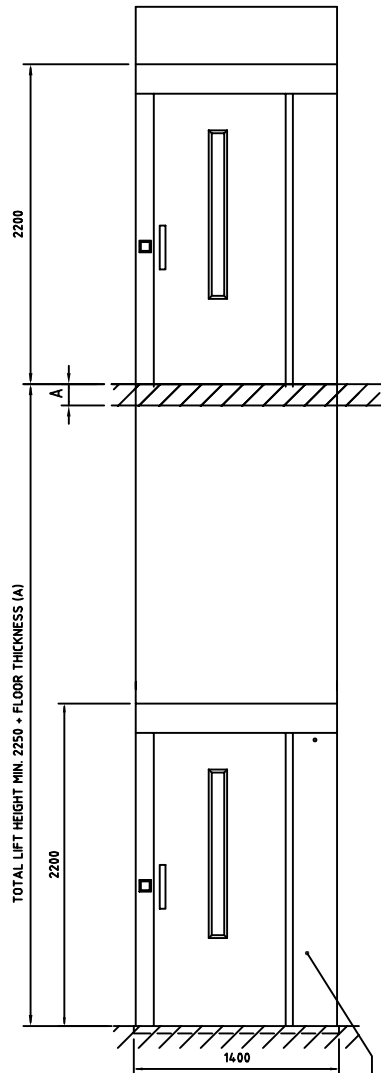
WITH PIT



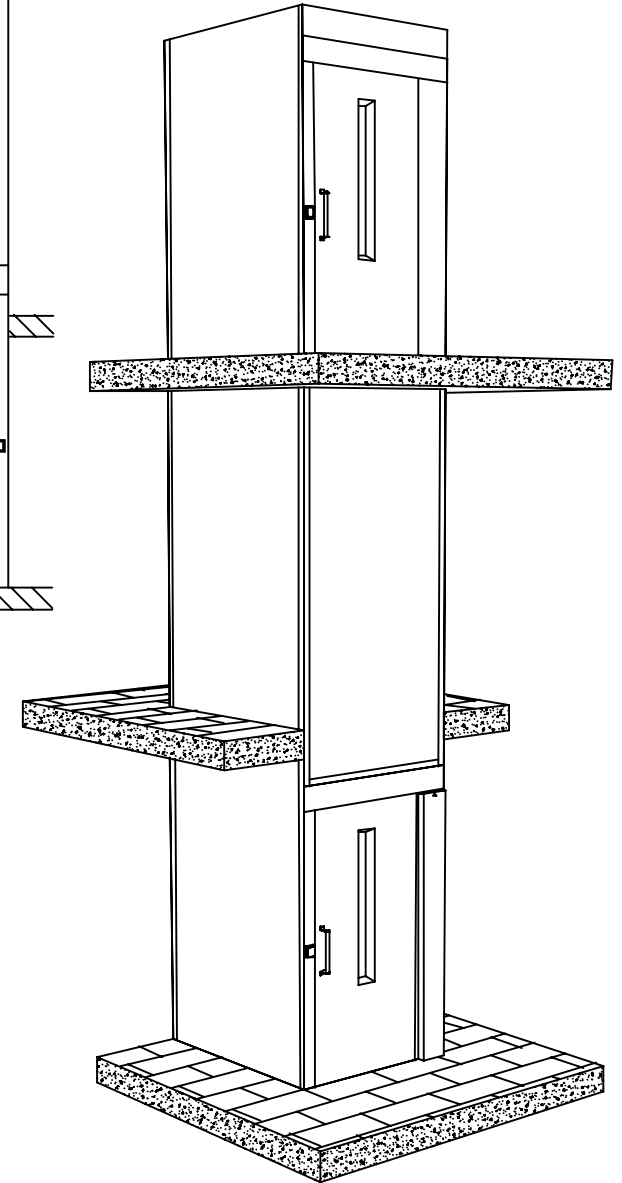
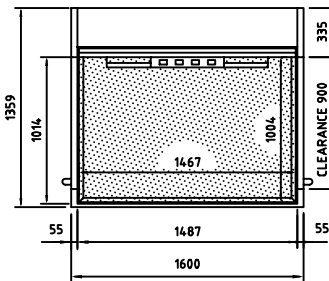
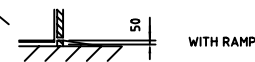
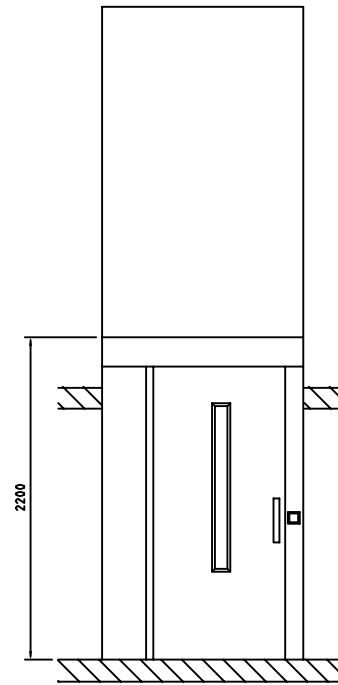
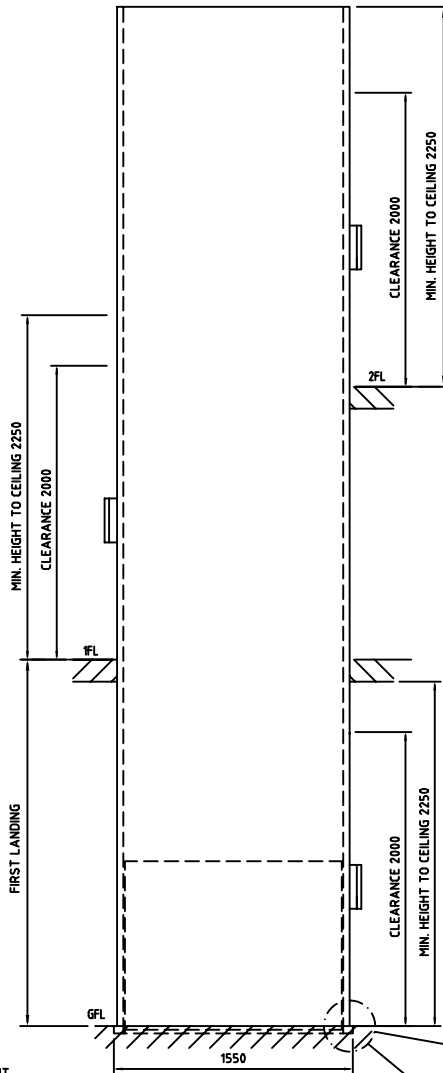
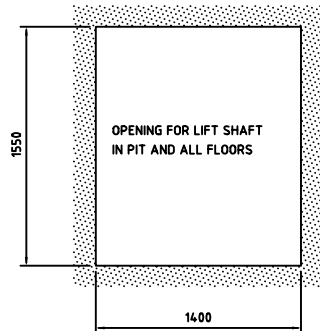
WITH RAMP



	Ribbed BHG Formbr.	CIBES LIFT A 5000 3 landings open through, adjacent type with full front	Slide 150	Finings 34542E
			Dot. 2004-03-15	Rev. B
			Ribbr.-nr 34542E	Rev. B



ELECTRICAL COMPARTMENT AND EMERGENCY HANDLE



	Prod	BHG	CIBES LIFT A 5000 3 landings open through with full front	Slide	150	Planning	34532E
	Exec	34532E		Det.	2004-03-15	Rev.	B
				Rev.	34532E		